

SERVOTOUGH Laser 3 Plus - DeNOx Ammonia

NEXT-GENERATION TUNABLE DIODE LASER (TDL) DeNOx AMMONIA MONITOR COMBINES UNIQUE FEATURES, LEADING PERFORMANCE AND REDUCED COST-OF OWNERSHIP IN A REVOLUTIONARY COMPACT DESIGN. OPTIMIZED FOR DeNOx AMMONIA PROCESSES.

INTRODUCING LINE LOCK CUVETTE TECHNOLOGY - NEVER LOSE TRACK OF YOUR MEASUREMENT



SERVOTOUGH Laser 3 Plus - DeNOx Ammonia

The SERVOTOUGH Laser 3 Plus is a revolution in TDL Absorption Spectroscopy analysis: a highly compact gas monitor for in-situ cross stack applications, which delivers exceptional performance benefits in a revolutionary compact design.

Servomex's pioneering approach to design has produced an analyzer that occupies a footprint up to 1/10th the size of competitor products. This provides instant benefits in terms of installation ease and flexibility.

The SERVOTOUGH Laser 3 Plus delivers exceptional TDL performance, with a fast response to measuring ammonia DeNOx. Utilizing the latest Wavelength Modulated Spectroscopy (WMS) measurement techniques with unique Servomex signal processing, the Laser 3 Plus provides the most stable, repeatable results with minimal installation and maintenance costs.

FLEXIBLE

- Compact design
- Performs in high particulate environments
- Path lengths from 1m to 10m - dust level dependent
- Minimal cross interference
- Diverse mounting: ideal for ducts and stacks

EASY TO USE

- Simple to install and operate
- Robust and reliable
- 0-15ppm min. range
- Space saving
- Digital communications Modbus, Ethernet
- User friendly interface rapid disconnect for easy calibration

LOW COST OF OWNERSHIP

- Small, light intuitive alignment for easy installation and maintenance
- Non-depleting TDL technology requires no replacement
- No moving parts, no consumables
- No sampling system reduces maintenance costs

UNRIVALLED PERFORMANCE

- Process temperatures up to 600°C
- Low detection limit
- Negligible zero drift

BENCHMARK COMPLIANCE

- ATEX, IECEx hazardous area approvals
- North American hazardous area approvals pending
- CE approved
- Wide process ambient temperature range
- IP66
- SIL 2

Learn more about the SERVOTOUGH Laser 3 Plus - DeNOx Ammonia
VISIT SERVOMEX.COM



SERVOMEX.COM

PRODUCT OVERVIEW: Laser 3 Plus - DeNOx Ammonia

A REVOLUTIONARY APPROACH TO TDL GAS ANALYSIS

By combining the latest advances in hardware with leading-edge software processing, the SERVOTOUGH Laser 3 Plus is a revolutionary step forward for TDL gas analysis. Servomex has approached TDL analysis fresh, creating an analyzer a fraction of the size without compromising performance. The result is TDL analysis that is easy and fast to install, both saving valuable space while enabling much greater installation flexibility.

LOW MAINTENANCE, LOW COST-OF-OWNERSHIP

The next-generation ethos of the Laser 3 Plus works hard to reduce costs at all stages. In addition to the immediate advantages of TDL technology – a non-depleting measurement which requires no sampling systems or sensor replacement - the Laser 3 Plus compact design greatly reduces installation time, with small, light intuitive alignment for easy installation and maintenance. In addition, the Laser 3 Plus requires a fraction of the window purge gas flow required by competitor analyzers. Full ethernet communications for commissioning, diagnostics and trouble shooting.

HIGH PERFORMANCE MONITORING

The hardware advances of the Laser 3 Plus are matched by an advanced WMS processing laser measurement, augmented by unique signal processing software which eliminates drift over extended operational periods by automatically tracking on a sealed reference cuvette absorption line - Line Lock Technology. This robust tracking mechanism ensures a highly reliable and accurate operation over long periods, with calibration frequencies extended beyond twelve months for many applications.

The result is a sturdy, general purpose and hazardous area optimized design which ensures Laser 3 Plus can handle the most challenging of locations; including particulate-rich environments.

LINE LOCK TECHNOLOGY - SAFE, SECURE, RELIABLE.

KEY APPLICATIONS - DeNOx Ammonia

- Process Heaters
- Incinerators
- Thermal Crackers
- Thermal Oxidizers
- Power Stations
- Furnaces



PRODUCT OVERVIEW: Laser 3 Plus - DeNOx Ammonia

SPECIFICATIONS	DETECTION LIMIT	MIN. MEASURING RANGE	MAX. PRESSURE MEASUREMENT	MAX. SAMPLE TEMPERATURE/°C
NH ₃	0.15mg/m ³ (0.2ppm)	0-15ppm*	1.2 bar abs.	600
NOTES	Detection limits are specified as the 95% confidence interval for 1m optical path and gas temperature/pressure = to 25°C/1 bar abs.			

* Application dependent

MONITORING PERFORMANCE	
Technology	Single Line Tunable Diode Laser Spectroscopy
Optical path length	0.7 - 10m *
In - situ response time	<30 seconds (T ₁₀ -T ₉₀ at full specification)
Zero Drift	Negligible
Repeatability	± 1ppm or ± 2% of reading whichever is greater
Linearity	<1% FSR
Calibration	Check recommended every 6-12 months with flow through cell , or using optional external calibration cell.
Maintenance	Recommended every 12 months.
Measurement availability	Optional measurement availability via sealed reference cuvette as standard. Removes the need for regular line validation maintenance

* Application dependent, on temperature, pathlength and dust. Refer to Servomex for further details.

OPTIONS	DESCRIPTION	SPECIFICATION
Pathlength Specific Optics	Standard optics	Optics are specified to ensure optimal transmission intensity
Outputs and Alarms	Standard: 1 x 4-20 mA output, 1 x Status Relay Additional option Card: 1 x 4-20mA output 2 x Status Relays, 2 x 4-20mA inputs	4-20 mA output: Isolated current loops, 500 Ω maximum 4-20 mA input: Maximum current 22mA input impedance 50 Ω Status Relays: 1A at 30V Vdc/ac
Digital Communications	TCP/IP Ethernet	10 or 100 base Ethernet and Modbus TCP
Flange Sizes	DN25, DN50, ANSI 1", 2", 3" and 4 "	Available as standard
Sample wetted seals	Standard and solvent resistant versions	Viton 70 or Chemraz 505 (or equivalent)
Power Supply	The analyzer is powered by 24V dc.	An external mains rated power supply (85-264 VAC, 50/60 Hz) is available for US and ATEX/IECEx (Gas) hazardous areas
In-Line Span cell	Available to allow analyzer performance to be checked with live reference gas	Validation of reading

ACCESSORIES	ACCESSORIES SUCH AS ALIGNMENT TOOLS, CALIBRATION CELL KITS, PURGE PANELS AND INSERTION TUBES, ISOLATION FLANGES AND THERMAL SPACERS ARE AVAILABLE FOR SPECIFIC APPLICATIONS – CONTACT YOUR LOCAL SERVOMEX BUSINESS CENTER
-------------	---

PRODUCT DATA: Laser 3 Plus - DeNOx Ammonia

DEVICE SPECIFICATION

Size:

- TRANSMITTER:
131mm width (5¹/₈"")
164mm high (6¹/₂"")
302.4mm deep (11⁹/₁₀"")
- RECEIVER:
110mm width (4⁵/₁₆"")
146mm high (5³/₄"")
247.6mm deep (9³/₄"")

Weight:

- TRANSMITTER: <3.0 kg (6.6 lbs)
- RECEIVER: <2.0 kg (4.4 lbs)

Operating temperature:

- -20°C to +65°C (standard)

Certifications:

- ATEX Cat 3 (Gases)
- IECEx Zone 2 and Zone 21
- North American Class 1 Division 2 and Zone 2 (Gas and Dust) pending
- ATEX Cat 21 (Dust)
- Safe Area / General Purpose
- CE marked in compliance with ATEX, EMC, LVD and all other applicable directives

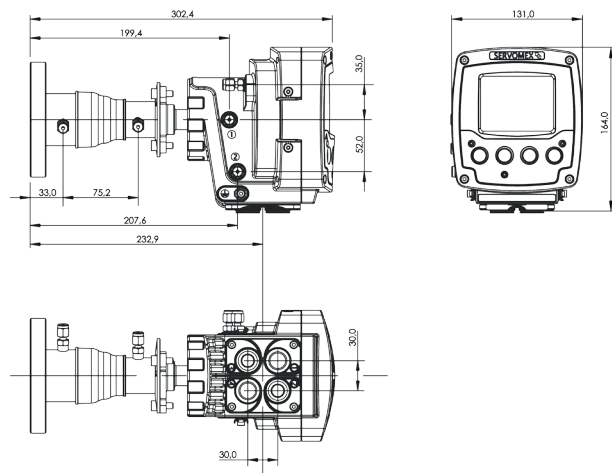
Protection Class:

- IP66
- NEMA 4X

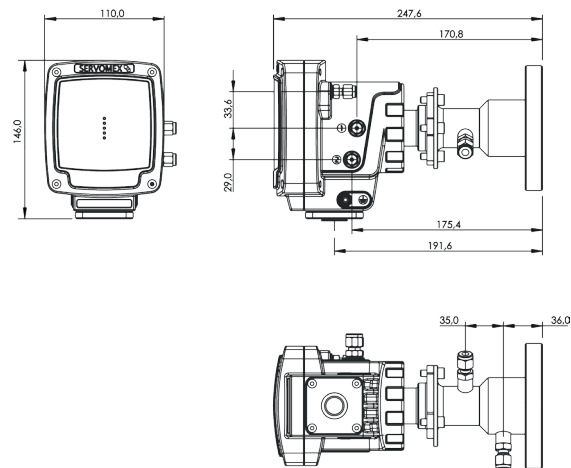
These analyzers are not intended for any form of use on humans and are not medical devices as described in the Medical Devices Directive 93/42/EEC.

DEVICE SCHEMATIC

Transmitter



Receiver



Please note: While every effort has been made to ensure accuracy, no responsibility can be accepted for errors or omissions. Data may change, as well as legislation, and you are strongly advised to obtain copies of the most recently issued regulations, standards and guidelines. This document is not intended to form the basis of a contract.

AMERICAS BUSINESS CENTER
Tel: +1 281 295 5800
Email: americas_sales@servomex.com

ASIA PACIFIC BUSINESS CENTRE
Tel: +86 (0)21 6489 7570
Email: asia_sales@servomex.com

EUROPEAN BUSINESS CENTRE
Tel: +31 (0) 79 330 1580
Email: europe_sales@servomex.com

INDIA BUSINESS CENTRE
Tel: +91 22 3934 2700
Email: MEI_sales@servomex.com

MIDDLE EAST BUSINESS CENTRE
Tel: +971 6552 8073
Email: MEI_sales@servomex.com